

# KD663 Anti Bark Collar User's Manual

KD663S With increasing sound and shock

KD663V With increasing sound and vibration

## Introduction:

The Anti-Bark Collar KD663S stops barking with progressively increasing sound and shock which is controlled by a microprocessor distinguishing your dog's bark from other environmental noises and automatically delivers sound and shock after each bark. KD663V stops barking with progressively increasing sound and vibration.

## Principles of operation:

At the first bark, KD663S Anti-bark Collar applies a short warning tone. If a second bark occurs within thirty seconds, a more intense tone is sounded. From the third bark, a more intense tone is sounded along with a short, mild shock. (KD663V with vibration)

This pattern is repeated through 7 correction levels. The first two levels are only with progressively warning tone. If your dog continues to bark through the rest five levels, the more intense sound and shock(vibration) are applied after each bark until your pet stops for thirty seconds, and then Anti-Bark Collar will automatically reset to the first "tone only" level of correction. To protect the dog, if the continuous stimulus reaches the 7 levels, then the collar will stop working for 1 minute.

The use of the warning tone followed by increasingly intense tones and shocks(vibration) sets up a pattern that your dog will quickly learn is caused by its own barking. It takes time to break bad habits.

When your dog forgets and barks again, the warning tone reminds your pet without immediately applying painful stimulus. At each step, your dog gets to choose whether it's worth the increasing pain to bark again. We have found this technique of progressively increasing sound and shock (vibration) is not only more humane, it is more EFFECTIVE in breaking the barking habit than conventional shocking bark control collars.

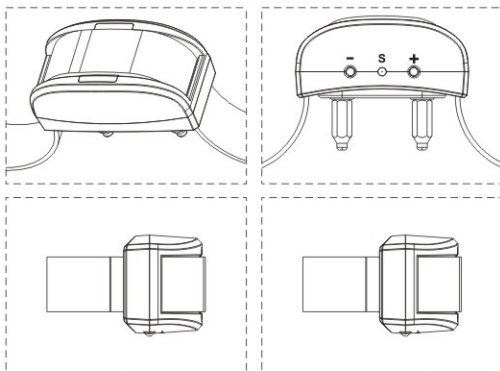
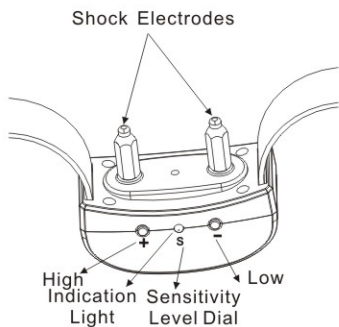
KD663S (KD663V) can be adjusted to control the sensitivity of the voice, according to the size of dogs barking.

## Operating Instructions:

Our KD663S (KD663V) is almost completely automatic. Just install a 6 volt alkaline battery, adjust the strap to the size of your dog's neck and the KD663S (KD663V) automatically begins doing its job.

There are two BUTTONS used to adjust the sensitivity to the bark, and every time there will be "B" out of tone, sensitivity will gradually be enhanced or weakened. The more sensitive, the easier to trigger the collar.

There are total 7 levels of sensitivities. It's set to 4 levels automatically when you install the battery.



## Installing/Replacing the battery:

Take off the battery cover and make sure you install the battery correctly.

Install the new battery between the "clip" and "spring" contacts. Note that "spring" contact is for the negative end and "clip" contact is for the positive end shown below.

## Putting Anti-bark Collar on Your Dog.

Place the unit around your dog's neck and adjust the collar length using the slide buckle arrangement provides with the strap. The unit should fit snugly underneath your dog's neck.

Make sure that the electrodes are in the direct contact with your dog's skin. Hair between the electrodes and skin will severely diminish the shock( KD663V with vibration) effect. If necessary, it is advisable to clip or shave your dog's fur under the neck to unsure direct contact.

## Caution Notes:

1. Do not allow your dog to chew this collar. You should also attempt to minimize scratching or clawing at the casing.
2. This device is made up of plastic and electronic components that are not digestible. Consult your local vet if your dog swallows any part of this product.
3. The collar is not intended for use as a restraining collar. If you are using a leash, use it with a separate restraining type of collar.
4. Although the Anti-bark Collar's microprocessor is designed to differentiate your dog's individual bark from stray environmental noises, the unit may occasionally be activated by other vibrations or sounds.

This is normal but, it should not happen so often as to be confusing to your pet. If the unit is falsely triggered by excessive scratching shaking of the head or rolling on the ground, your pet may be suffering from fleas or ear mites. If these activities are evident, have your pet checked by a veterinarian for parasites.