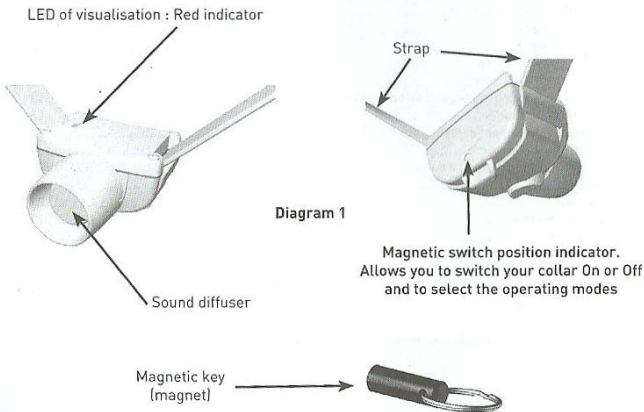


GB - 20

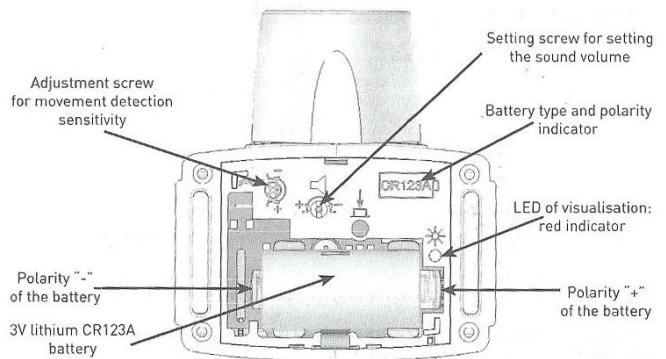
● Contents of the product DOG BEEPER Pro

- DOG BEEPER beeper collar
- 3 Volt CR123A lithium battery
- strap
- magnetic key (magnet)
- screwdriver (for adjustment of sensitivity to movements and setting the sound volume)
- this user's guide

● Presentation of the product



GB - 21



Fitting the battery

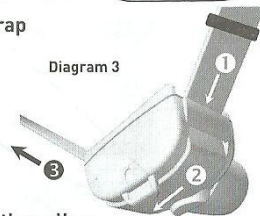
Diagram 2

- Unscrew the 4 screws of the top of DOG BEEPER collar using a Philips screwdriver.
- Insert the battery (3V lithium CR123A) paying attention to follow the polarity indicated on the battery housing (see Diagram 2).
- A beep sound (low pitch) is emitted and the red indicator flashes, indicating the battery has been properly inserted.
- Replace the top cover in the right way. Check that the led window is located right above the led indicator inside the collar (see Diagram 1). Ensure that the rubber seal is in its groove, and check that both rubber seal and groove are clean in order to avoid any watertightness problem.
- Firmly screw up the 4 screws in order to maintain your product's watertightness.

You can now turn your DOG BEEPER collar On.

GB - 22

● Fitting the strap

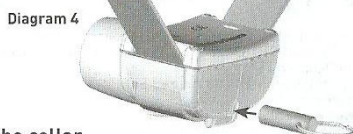


● Switching on the collar

Before using the collar, be sure you properly tighten the 4 screws on the top in order to maintain the watertightness of your product.

To switch On your DOG BEEPER collar touch the magnetic switch position indicator with the magnetic key for at least one second. The magnetic switch position indicator is located at the back of the collar - see Diagram 4).

The collar will emit two low pitch beep sounds and the red indicator light will flash briefly indicating the DOG BEEPER is On. Move the magnetic key away.



● Switching off the collar

To switch Off your DOG BEEPER collar touch the magnetic switch position indicator with the magnetic key for at least one second (see Diagram 4).

The collar will emit one low pitch beep sound and the red indicator light will flash briefly indicating the DOG BEEPER is Off. Move the magnetic key away.

GB - 23

Changing operating modes and selecting tones

DOG BEEPER allows you to locate one to four dogs at the same time (with four different tones). Either when they are pointing, or when they are moving or pointing.

To change the tone emitted by your DOG BEEPER or to change operating modes, when turning it on, you need to leave the magnetic key in contact with the magnetic switch position indicator (position mark situated at the back of the collar under the our logotype - see diagram 4).

The collar emits a number of beep sounds (from 1 to 8).

Modes 1 to 8 run through as long as you leave the magnetic key in contact with the magnetic switch position indicator.

Move the magnetic key away as soon as you have reached the desired mode: the collar will memorize the configuration chosen. The next time you turn it on, DOG BEEPER will be in the mode you selected last.

The table below shows how DOG BEEPER works according to the mode selected:

Number of beeps	Pointing dog	Moving dog
1	One beep every 2 seconds, tone N° 1	No sound
2	One beep every 2 seconds, tone N° 2	No sound
3	One beep every 2 seconds, tone N° 3	No sound
4	One beep every 2 seconds, tone N° 4	No sound
5	One beep every 2 seconds, tone N° 1	One beep every 10 seconds, tone N° 1
6	One beep every 2 seconds, tone N° 2	One beep every 10 seconds, tone N° 2
7	One beep every 2 seconds, tone N° 3	One beep every 10 seconds, tone N° 3
8	One beep every 2 seconds, tone N° 4	One beep every 10 seconds, tone N° 4

How the collar works

When on, and according to the mode selected, the collar may emit beep sounds when your dog is not moving, if it has been still for at least 5 seconds. As soon as the dog moves, it is considered moving.

GB - 24

Setting the movement detection sensitivity

When leaving the factory, the collar is set to an intermediate position (medium sensitivity). It is up to you to adjust the sensitivity of your DOG BEEPER to your dog's behaviour and to the results you want to obtain.

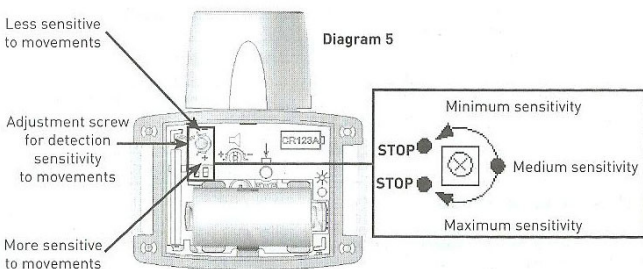
To change the movement detection sensitivity, you need to remove the lid of the collar in order to get access to the sensitivity adjustment screw located inside the collar (see diagram 5).

2 examples:

a) After pointing, you want to always hear DOG BEEPER while your dog is sliding towards the prey: with the supplied screwdriver, turn the sensitive screw counter-clockwise to the minimum (minimum sensitivity). Collar is still beeping while the dog is moving.

b) You want to hear DOG BEEPER only when your dog is perfectly still: the collar stops beeping at the slightest movement of the dog: with the supplied screwdriver turn the sensitive screw clockwise to the maximum (maximum sensitivity).

CAUTION: The adjustment system has a stop for the minimum sensitivity and a stop for the maximum sensitivity (maximum 1/4 turn). Use the supplied screwdriver, turn delicately and without forcing!



GB - 25

Adjusting sound volume

When leaving factory, the collar is set at the maximum volume, the system is set at the maximum stop. You can not turn beyond to increase sound volume.

It is up to you to adjust your DOG BEEPER sound volume to the level you wish.

To adjust the volume of your collar, you need to lift the lid in order to get access to the adjusting screw located inside the collar (see diagram 6).

To decrease the sound volume of your DOG BEEPER turn the volume adjustment screw clockwise to the minimum (minimum sound volume).

To increase the sound volume of your DOG BEEPER turn the sound volume adjusting screw counter-clockwise to the maximum (maximum sound volume).

CAUTION: The adjustment system has a stop for the minimum sound volume and a stop for the maximum sound volume (maximum 1/2 turn). Use the supplied screwdriver, turn delicately and without forcing.

